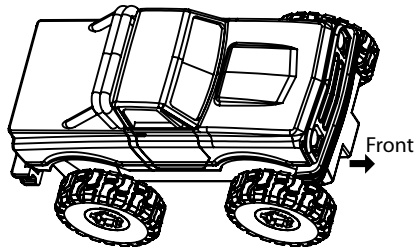


Item # 112100

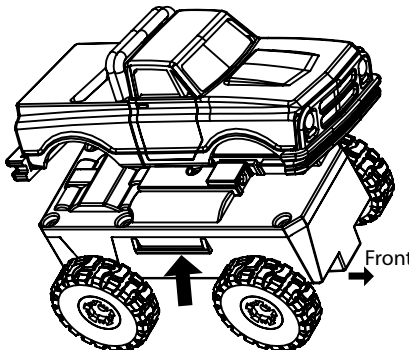
Vehicles Instruction Sheet



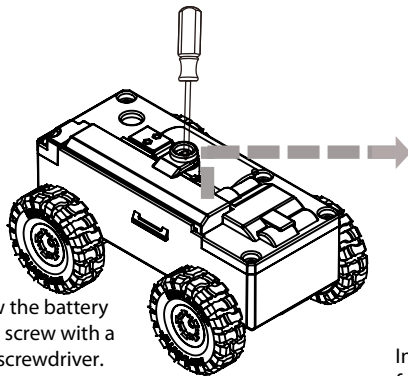
Copyright 2010 RedwoodVentures Ltd



①

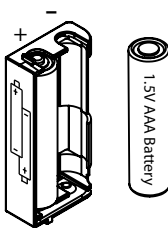


② Open the vehicle body cover.



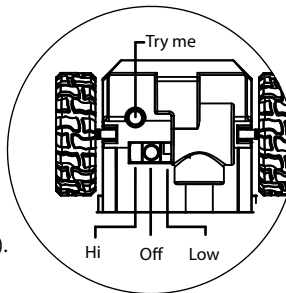
③

Unscrew the battery carriage screw with a Phillips screwdriver.



④

Install two AAA batteries following the polarity(+/-).



WARNING:

Vehicle wheels may become entangled in long hair. Avoid putting this vehicle near your hair or someone else's hair.

Battery Installation and Replacement

1. Unscrew the battery carriage screw with a Phillips screwdriver
2. Lift the battery carriage out of your Defiants vehicle chassis
3. Install two AAA batteries
4. Replace the battery carriage and tighten the screw
5. Have Fun!

Battery Safety

- In rare circumstances batteries may leak fluid that might ruin your toy or cause a chemical burn. To avoid this from happening follow these instructions:
- Do not mix new and old batteries
 - Insert batteries correctly – with the right polarity
 - Remove worn out batteries and dispose of them properly
 - Use the right size (AAA) batteries, never any other size
 - Do not mix rechargeable nickel-cadmium standard (carbon-zinc) or alkaline batteries
 - Rechargeable batteries should be used only under adult supervision
 - Rechargeable batteries should be removed from your toy before recharging
 - Never recharge non-rechargeable batteries
 - Do not dispose of this toy or batteries in a fire



WARNING:

CHOKING HAZARD - Small parts. Not for children under 3 years.

Made and printed in China.

For Product and Packaging ©2010 RedwoodVentures Ltd.

For customer service email us at: customer-service@redwood-ventures.com or call 1 (855) 876-8124



Taking Care of Your Defiants Vehicle

Congratulations – you've got the power of a Defiants vehicle in your hands! You'll have a blast overcoming obstacles and tearing up terrain with your Defiants vehicle. To make sure that your vehicle lasts and functions properly, follow the following tips to take care of your vehicle:

- Keep it clean! While your vehicle is capable of overcoming the roughest of outdoor terrain, take care to wipe it clean after use outside with a clean, damp cloth. Don't use detergents or any type of chemical cleaner on your vehicle. Too much dirt and dust could damage your vehicle or keep it from working correctly.
- Keep it dry! Your vehicle might get wet over the course of play, especially if you drive it outside. Make sure you dry your vehicle off if it gets wet, and avoid intentionally submerging or running the vehicle through streams or puddles.
- When storing your Defiants vehicle for a long period of time, remove the batteries, and never mix different types of batteries.
- Never throw your vehicle or use it in any way that it is not intended to be used

What to do if your vehicle doesn't run, or if your vehicle is performing poorly

- Make sure your batteries are fresh, and that they are installed correctly
- Make sure your vehicle is turned on, with the switch in the "Hi" or "Low" position
- Make sure that dirt, dust or debris is not blocking or impeding the ability for wheels and axles to spin.
- Check to see that the vehicle body is not pressed too far down onto the chassis, blocking the wheels or axles from spinning
- Make sure that the wheels or tires are not pressed against the chassis, keeping the wheels or axles from spinning